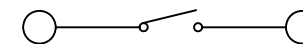
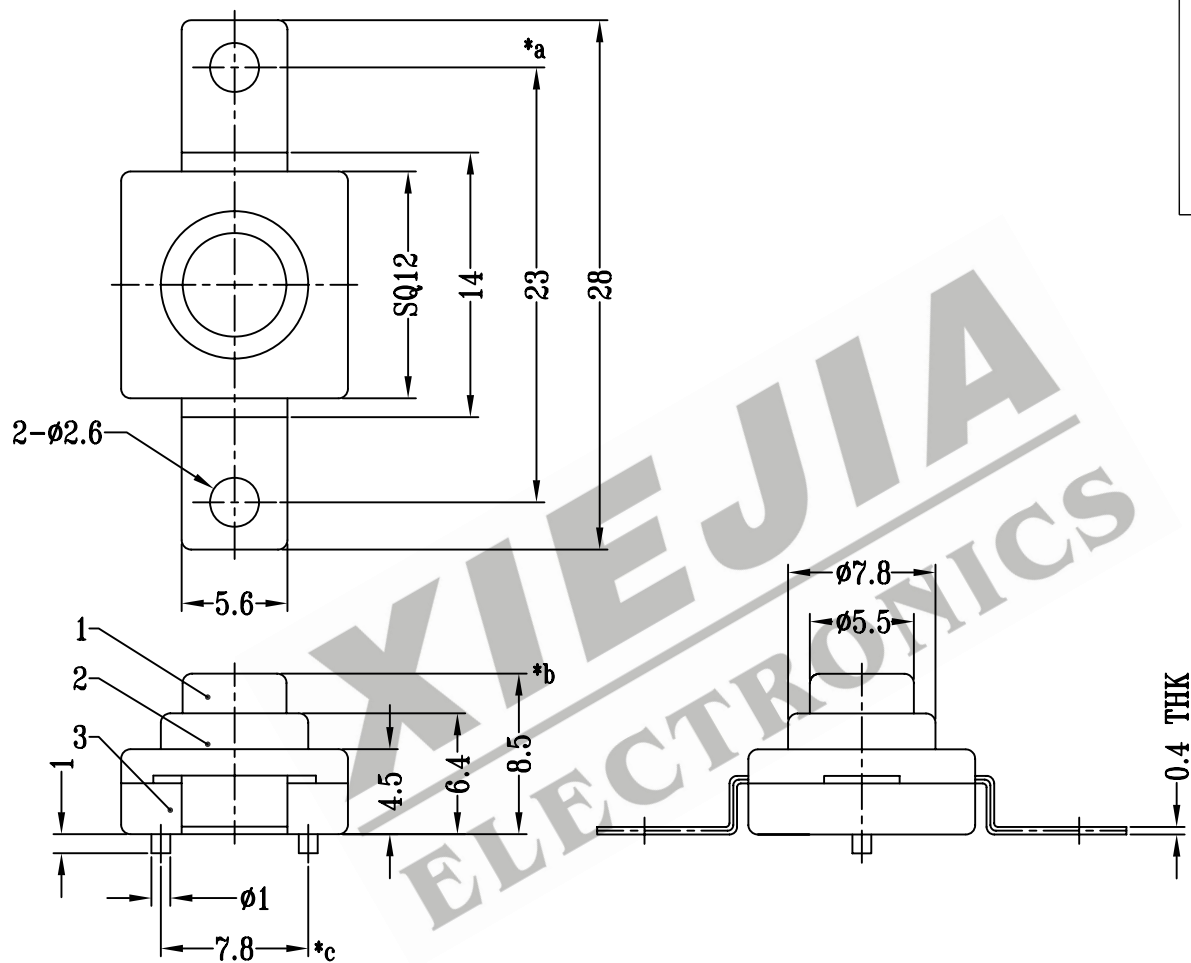


CAD FILE:



SCHEMATIC

注：“*”表示关键尺寸（3个）

8	SPRING B	SUS	1	TEMPER	TOLERANCE UNLESS SPECIFIED	SHENZHEN XIEJIA ELECTRONICS CO.,LTD.				
7	SPRING A	SUS	1	TEMPER						
6	CONTACT	BRASS STRIP	1	Ag PLATED OVER Ni PLATED	WITHIN: 1.5±0.1mm	ISSUE	DATE	DESCRIPTIONS OF REVISION		APPD.
5	SLIDER	POM	1	BLACK	OVER : 1.5±0.2mm					
4	TERMINAL	BRASS STRIP	2	Ag PLATED OVER Ni PLATED	TITLE : VERTICAL SLIDE SWITCH		UNIT : mm	DRWG NO.: XJ-DR-PB11D06-00		
3	CASE	POM	1	BLACK	MODEL: PB-11D06		SCALE: 5:2	DWN.	ZHOUYU	2003-10-30
2	COVER	POM	1	BLACK				CHK'D	FANGYING	2003-10-30
1	KNOB	POM	1	BLACK	ALL MATERIALS MUST BE COMPLIANT TO ROHS		APPD.	KANGXINAN	2003-10-30	
NO.	PARTS	MATERIALS	Q'TY	FINISH						